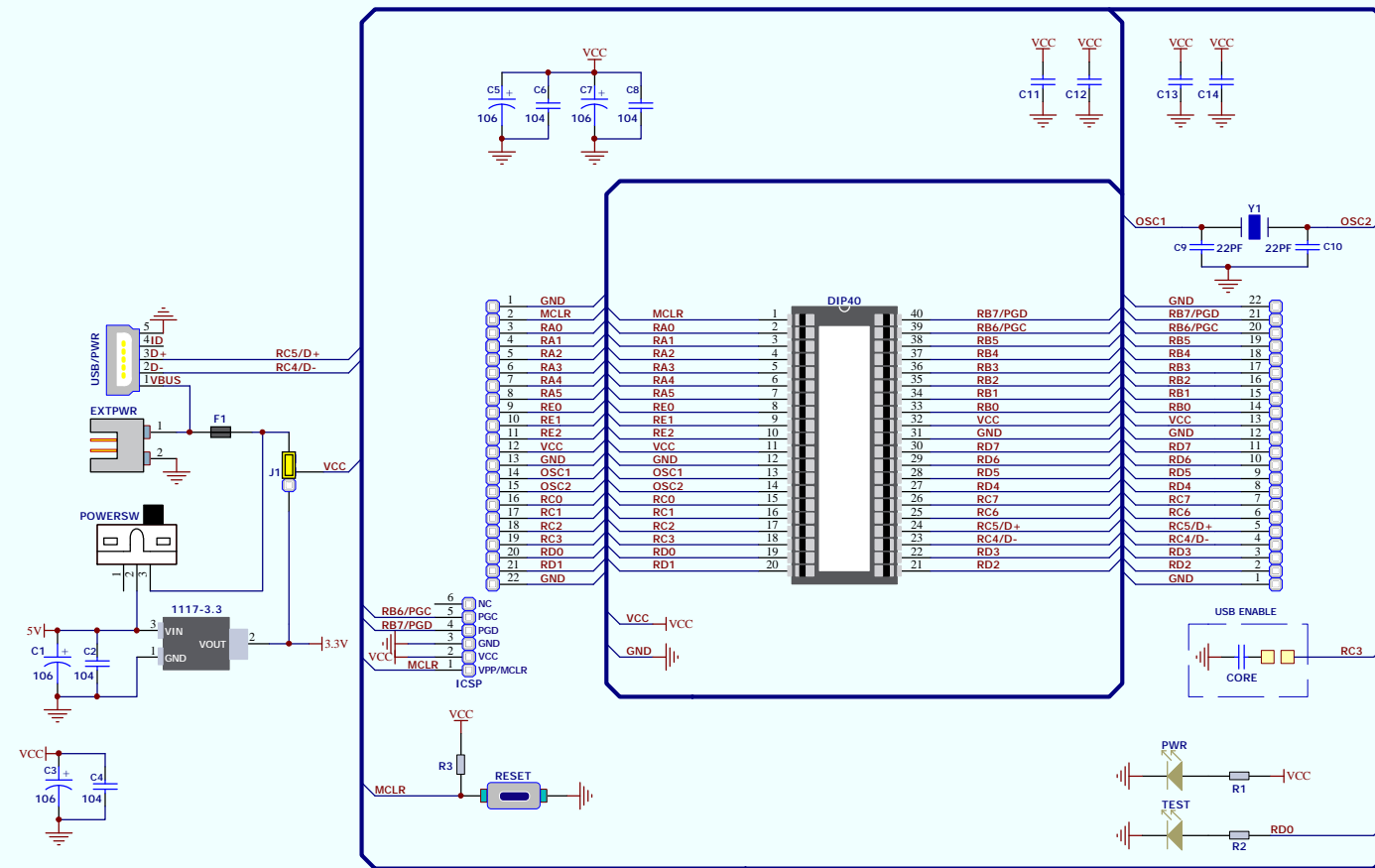


# Proto-PIC40-A Schematic

Hardware Revision v2

If you are experiencing some problems with any of our products or just need additional information, please contact our technical support: [wx107297662156@163.com](mailto:wx107297662156@163.com)  
 If you want to learn more about our product, please visit our website:

[www.LogiFind.com](http://www.LogiFind.com)  
[www.MicroHello.com](http://www.MicroHello.com)



Title		
Size	Number	Revision
A3		
Date:	21-Feb-2021	Sheet of
File:	E:\LogiFind_Design.Ddb	Drawn By: