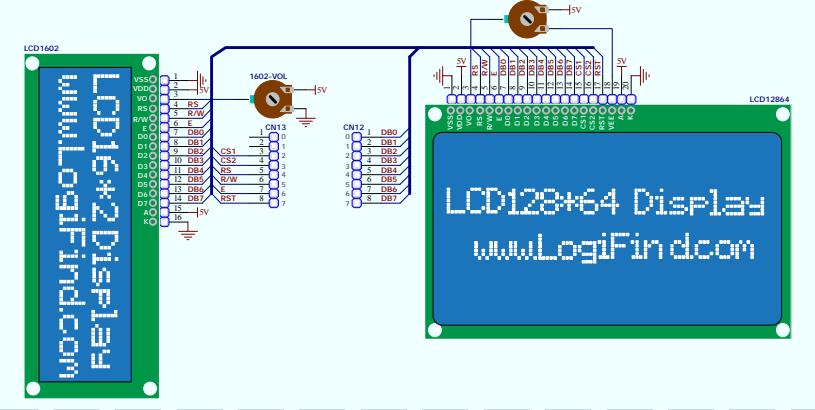
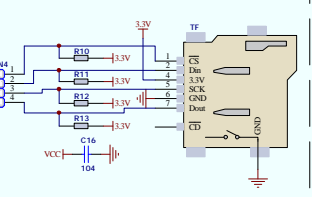
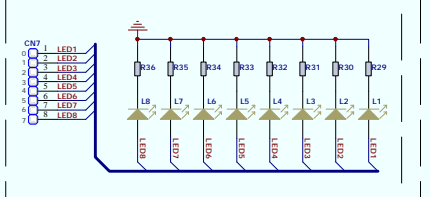
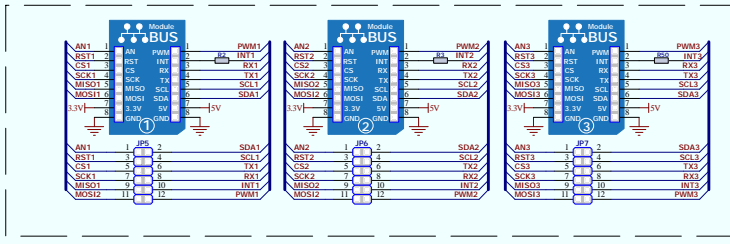
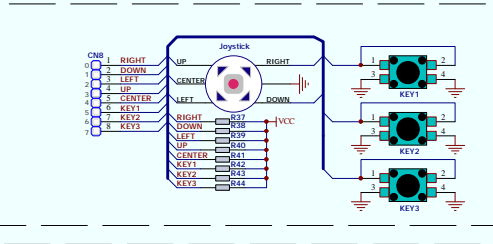
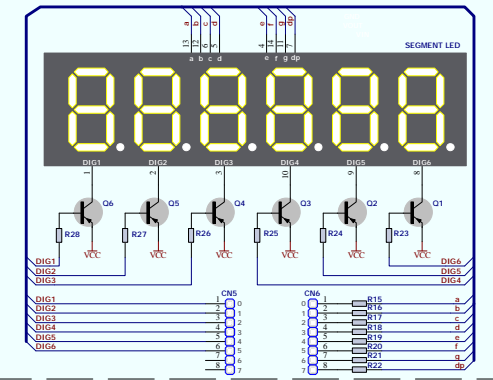
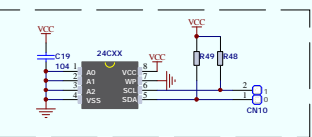
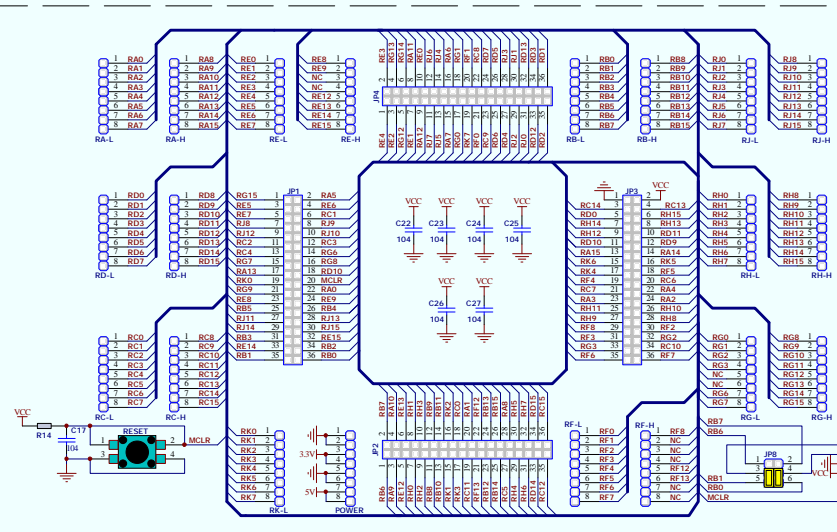
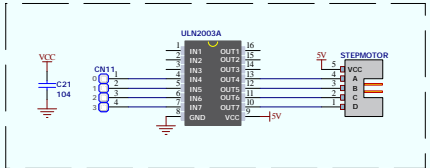
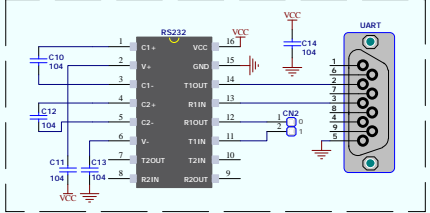
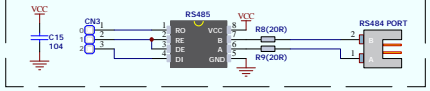
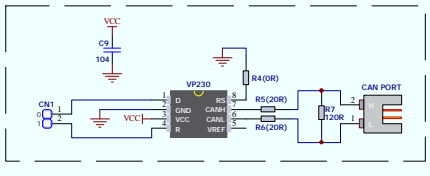
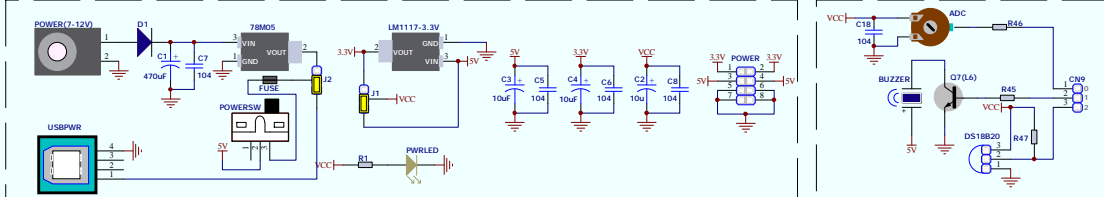


OpenPIC Pro V2 development board Schematic

Hardware Revision V2

If you are experiencing some problems with any of our products or just need additional information, please contact our technical support: wxl07297662156@163.com
If you want to learn more about our product, please visit our website:

www.LogiFind.com



Title		
Size	Number	Revision
A2		
Date:	25 Aug 2020	Sheet of
File:	F:\LogiFind\OpenPIC Pro V2	Drawn By: