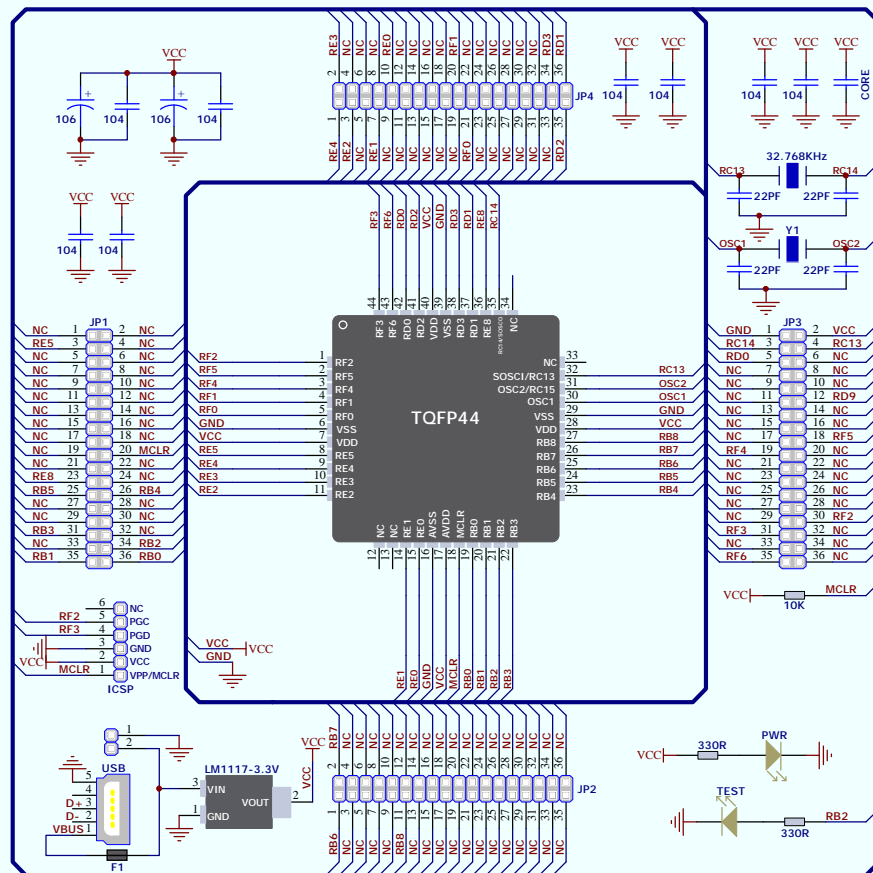


PIC44-B V2 Card (for OpenPIC Pro Motherboard) Schematic

Hardware Revision v2

If you are experiencing some problems with any of our products or just need additional information, please contact our technical support: wsl07297662156@163.com
 If you want to learn more about our product, please visit our website:

www.LogiFind.com



Title		
Size	Number	Revision
A3		
Date:	13-Jul-2021	Sheet of
File:	E:\LogiFind_Design.Djb	Drawn By: